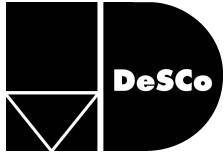


## i85+ SERIES THERMAL WINDOW

<b>DESCRIPTION</b>	<b>PROJECT-OUT</b>	<b>CASEMENT</b>	<b>PROJECT-IN</b>
AAMA Designation ASTM	P-AW100	C-AW100	P-AW100
F588 (Forced Entry)	Grade 10	Grade 10	Grade 10
Air Infiltration	<0.1 CFM	<0.1 CFM	<0.1 CFM
Water Resistance	15 psf	15 psf	15 psf
Maximum Sash Size	60" x 36"	36" x 60"	60" x 36"
Operating Hardware	Cam handles 4 bar hinges	Cam Handles 4 bar hinges	Cam handles 4 bar hinges
Optional Screens	Wicket screens Fiberglass or aluminum mesh	Extruded frame Fiberglass or aluminum mesh	Extruded frame Fiberglass or aluminum mesh
Frame Depth	4 1/2" (114mm)		
Typical Material Thickness	0.094" with tubular design		
Frame Construction	Miter - crimp & epoxy weld on frames Mortise & tenon on mullions		
Sash Construction	Miter - crimp & epoxy weld		
Glazing Thickness	1" and 1 3/4"		

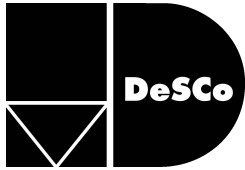


# i85+ SERIES

## HARDWARE GUIDE

<b>DESCRIPTION</b>	<b>PROJECT-IN</b>	<b>PROJECT-OUT</b>	<b>CASEMENT</b>
Cam Handles	Standard	Standard	Standard
Custodial Locks	Optional	Optional	Optional
Spring Latch	Optional		
Pole Ring Cam Handles	Optional		
Pushbars		Optional	
Locking Handles	Optional	Optional	Optional
4 Bar Hinges	Standard	Standard	Standard
Roto Operators		Optional	Optional
Butt Hinges			Optional
Egress Hardware			Optional
Friction Adjustors	Optional	Optional	Optional
Limited Opening Device	Optional	Optional	Optional
Limit Stops	Optional	Optional	Optional
Screens	Optional	Optional	Optional
ADA Hardware	Optional	Optional	Optional

To determine the recommended number of locks or combinations of locking and hinging hardware, contact DeSCo Technical Support for assistance.



# i85+ SERIES

---

## SIZE LIMITATIONS

	<b>MINIMUM SIZE</b>	<b>MAXIMUM SIZE</b>
<b>Project-in vent with cam handles</b>	14" wide x 17 3/4" high	60" wide x 36" high

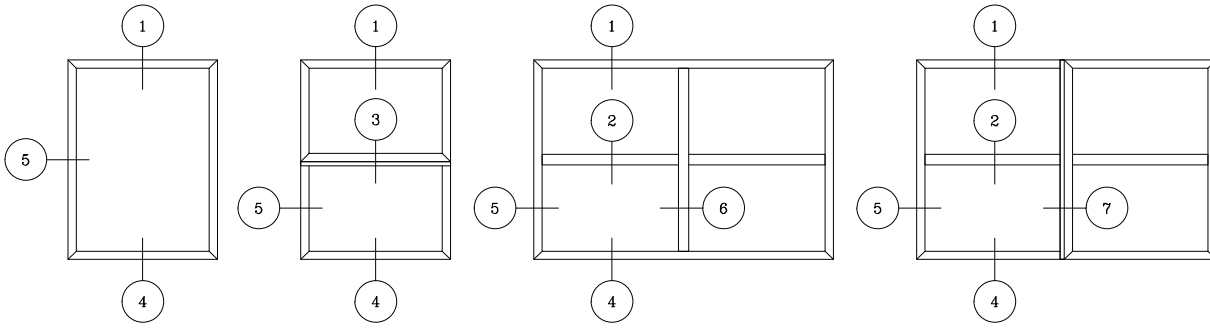
	<b>MINIMUM SIZE</b>	<b>MAXIMUM SIZE</b>
<b>Project-out vent with cam handles</b>	14" wide x 16" high	60" wide x 36" high
<b>Project-out vent with pushbars</b>	23" wide x 18 3/4" high	60" wide x 36" high
<b>Project-out vent with roto operators</b>	24" wide x 18 3/4" high	60" wide x 36" high

	<b>MINIMUM SIZE</b>	<b>MAXIMUM SIZE</b>
<b>Casement vent with roto operators</b>	20" wide x 24" high	36" wide x 60" high

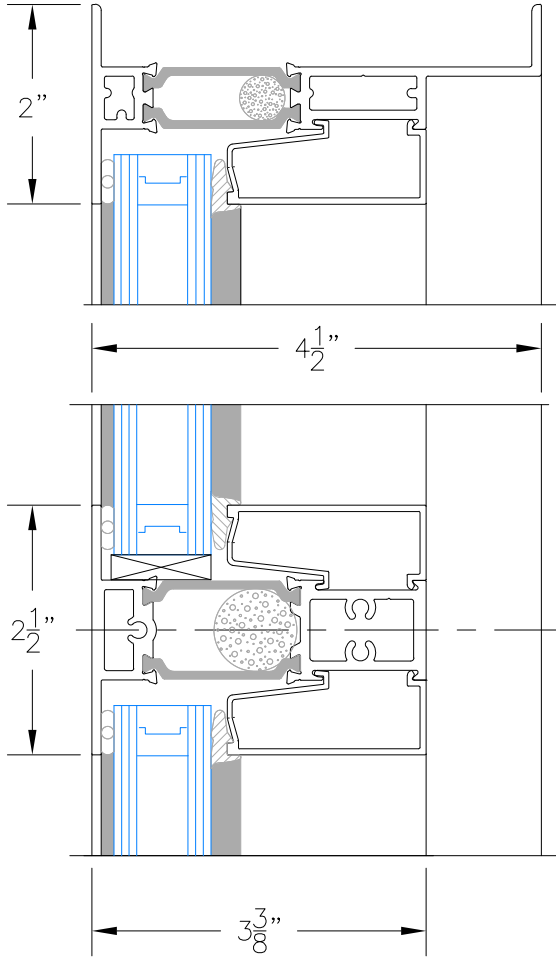
### Egress vent

	<b>WIDTH</b>	<b>HEIGHT</b>	
<b>For 20" clear opening width</b>	28 1/2"	45"	5.7 square foot of opening
<b>For 22" clear opening width</b>	30 1/2"	42"	5.7 square foot of opening
<b>For 24" clear opening width</b>	32 1/2"	39"	5.7 square foot of opening

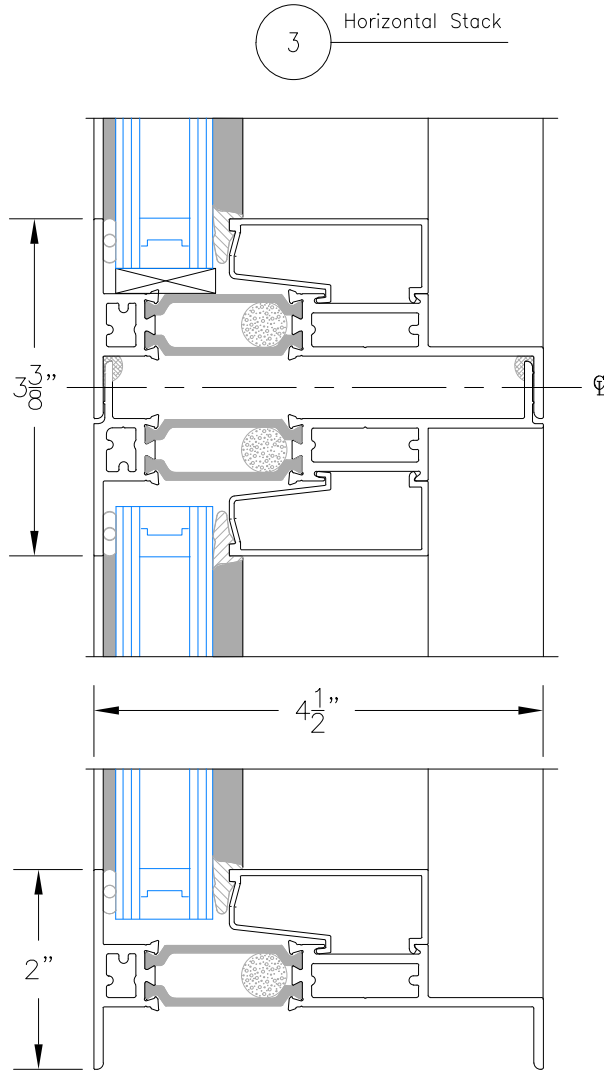
Consult your DeSCO representative for vent size limitations due to hardware limitations.



1 Head



2 Horizontal Mullion

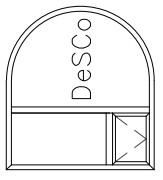


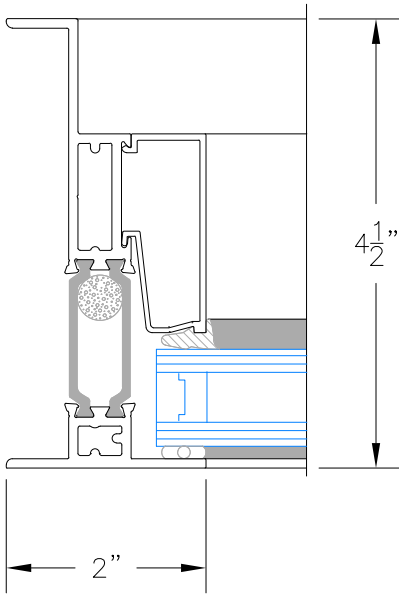
3 Horizontal Stack

4 Sill

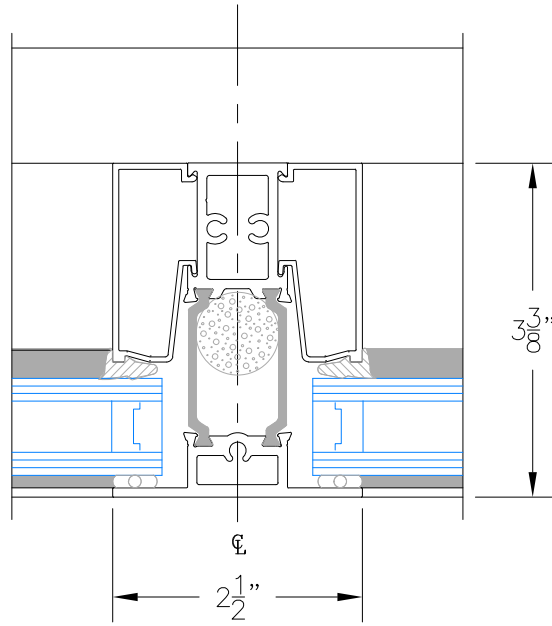
i85 PLUS SERIES THERMAL WINDOW  
FIXED/STATIONARY

DeSCO Architectural, Inc.  
716 3rd Street SE  
De Smet, SD 57231  
Ph. 605-854-9126 Fax: 605-854-9127  
800-952-5534  
www.descoarc.com

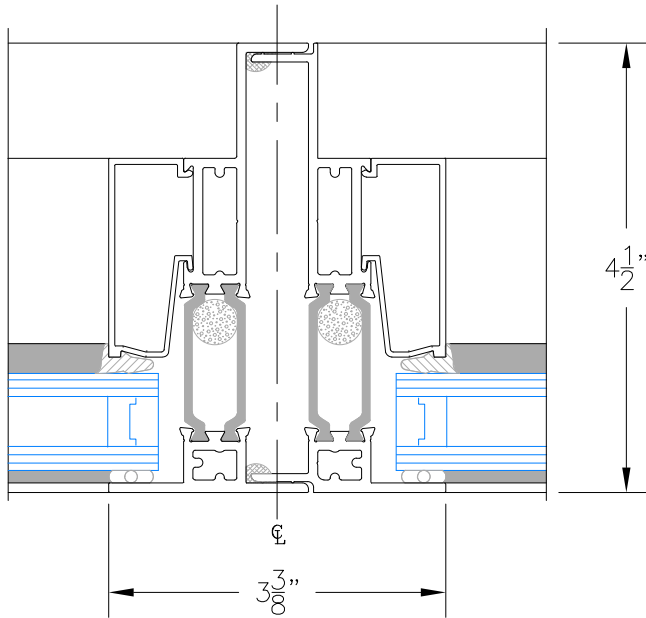




5 Jamb



6 Vertical Mullion



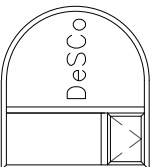
7 Vertical Stack

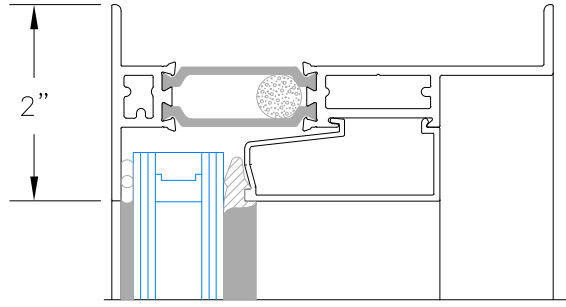
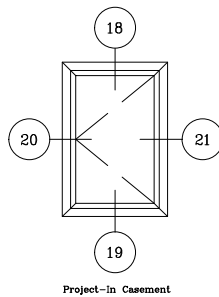
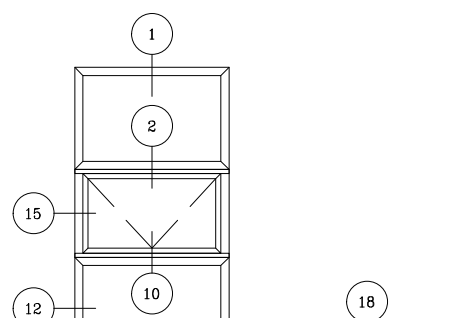
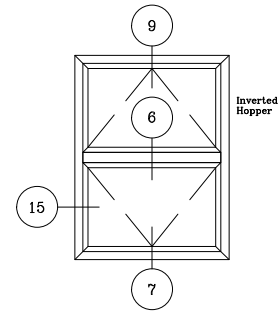
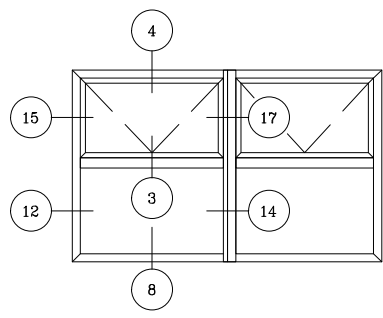
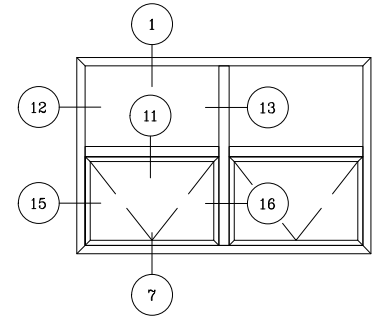
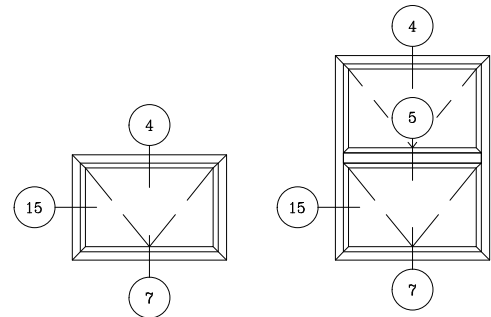
# i85 PLUS SERIES THERMAL WINDOW (Con't)

## FIXED/STATIONARY

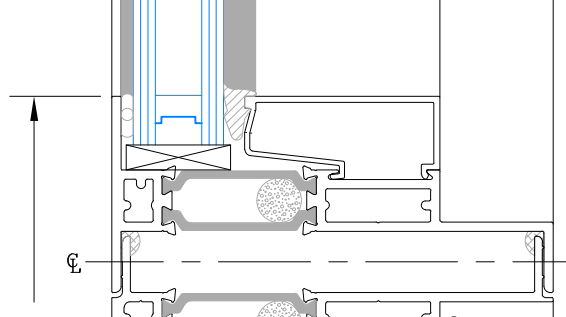
DeSco Architectural, Inc.  
716 3rd Street SE  
De Smet, SD 57231

Ph. 605-854-9126 Fax: 605-854-9127  
800-952-5534  
www.descoarc.com

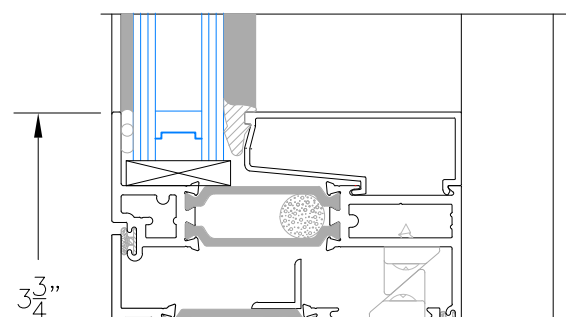




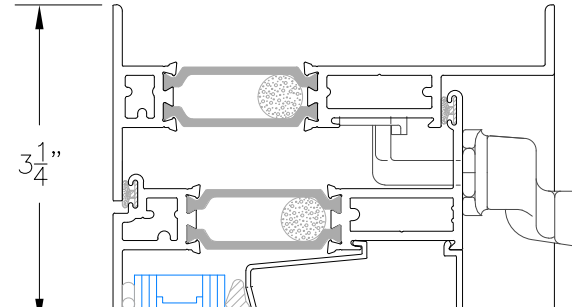
1 Head  
4 1/2"



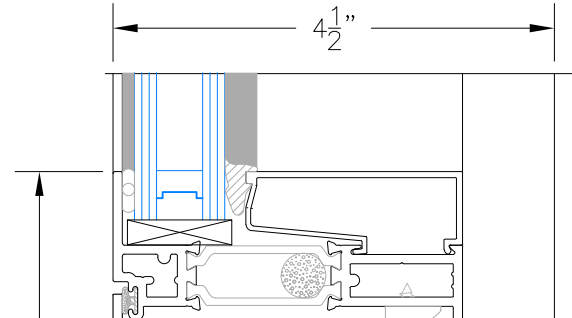
2 Horizontal Mullion Stack  
4 5/8"



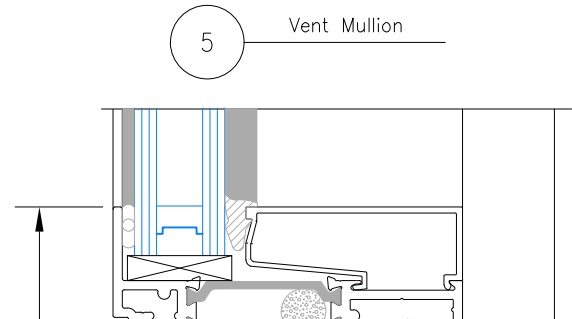
3 Vent Mullion  
3 3/4"



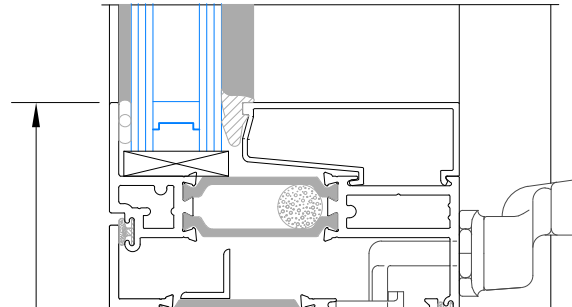
4 Vent Head  
3 1/4"



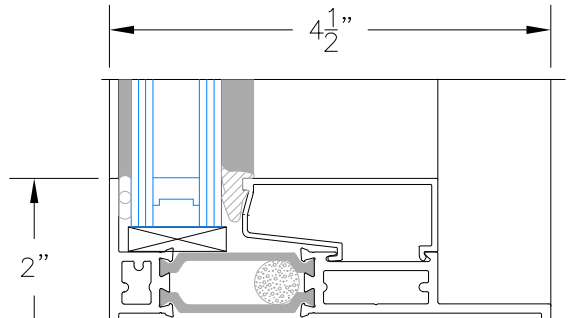
5 Vent Mullion  
5"



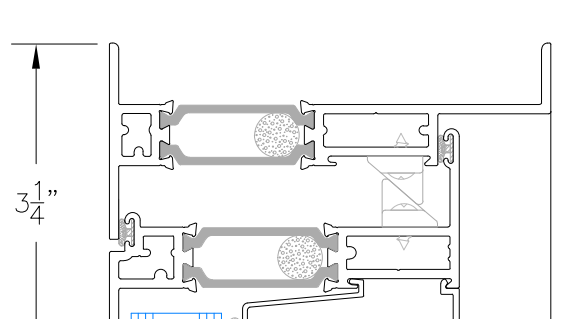
7 Vent Sill  
3 1/4"



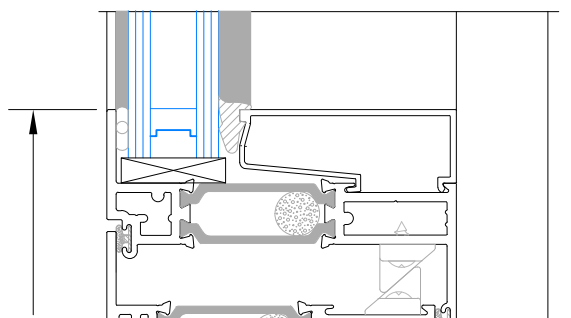
6 Vent/Vent Mullion  
5"



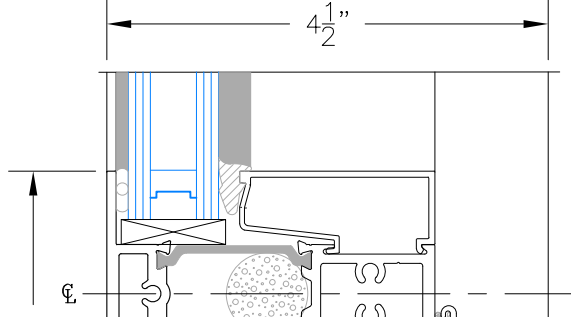
8 Sill  
2"



9 Head  
3 1/4"



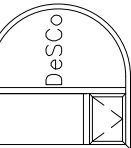
10 Horizontal Vent Stack  
4 5/8"

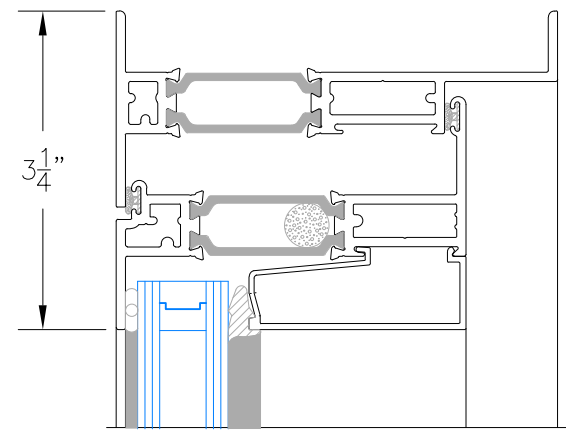


11 Horizontal Vent  
3 3/4"

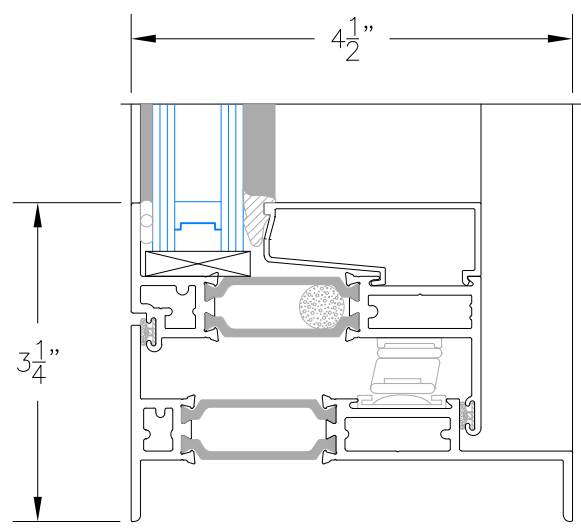
i85 PLUS SERIES THERMAL WINDOW  
PROJECT-IN

DeSCO Architectural, Inc.  
716 3rd Street SE  
De Smet, SD 57231  
Ph: 605-854-9126 Fax: 605-854-9127  
800-952-5534  
www.descoarc.com

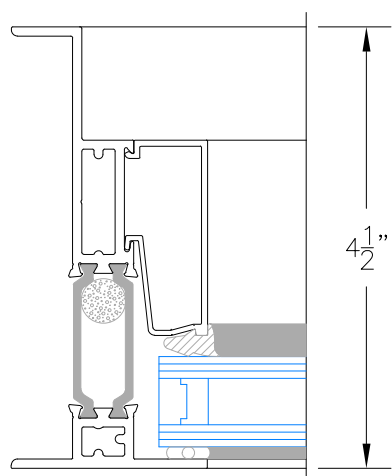




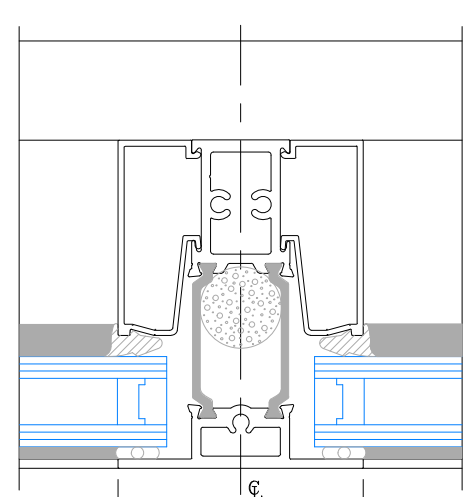
18 Vent Head



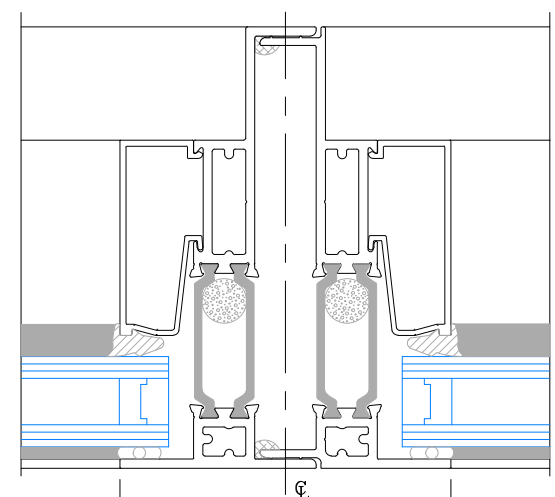
19 Vent Sill



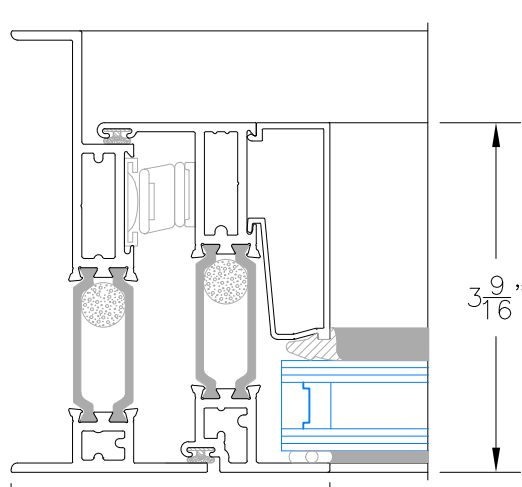
12 Jamb



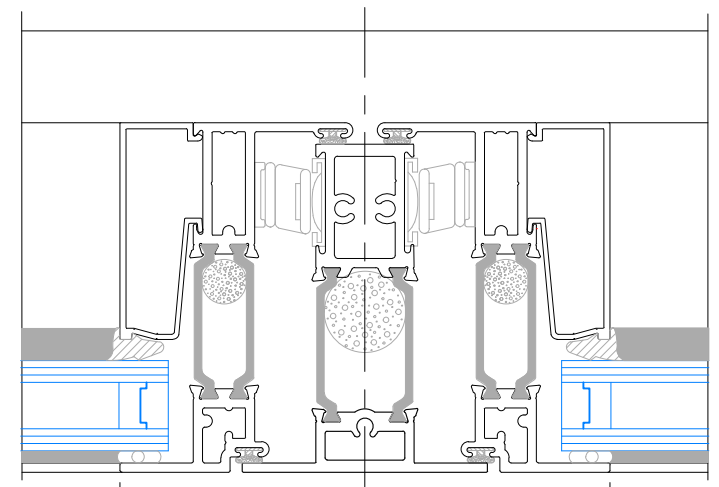
13 Vertical Mullion



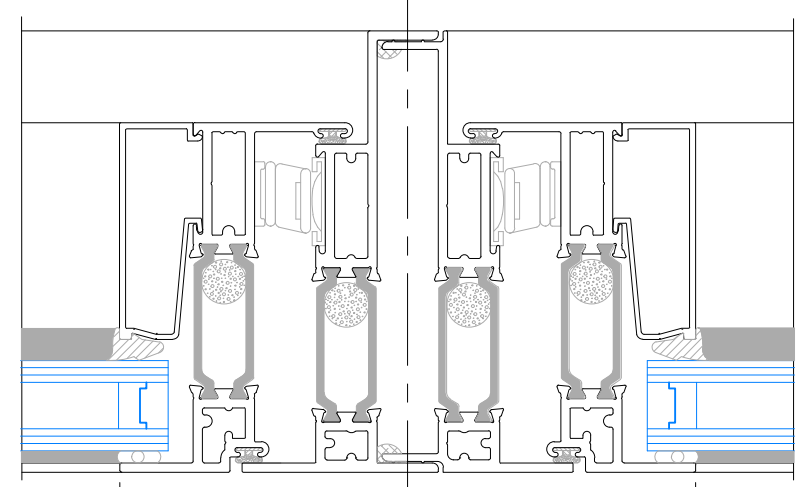
14 Vertical Stack



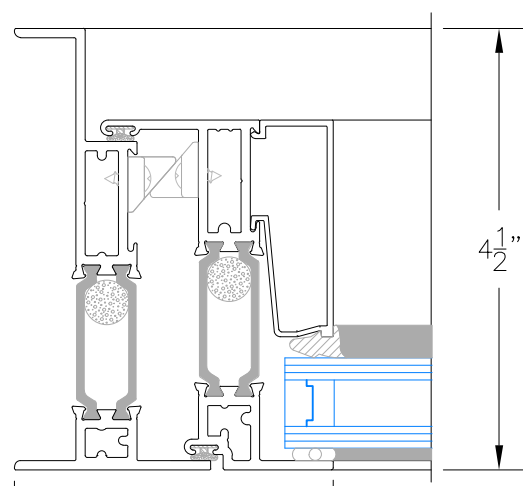
15 Vent Jamb



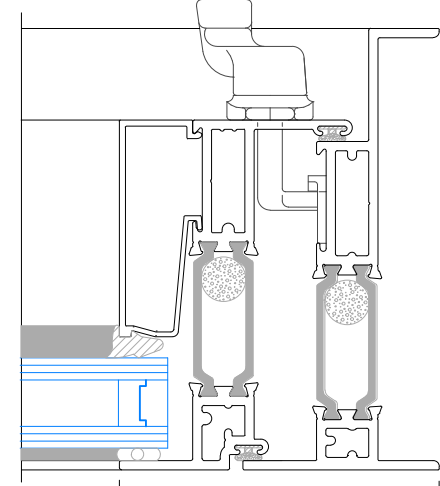
16 Vertical Vent Mullion



17 Vertical Stack



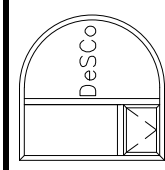
20 Vent Jamb

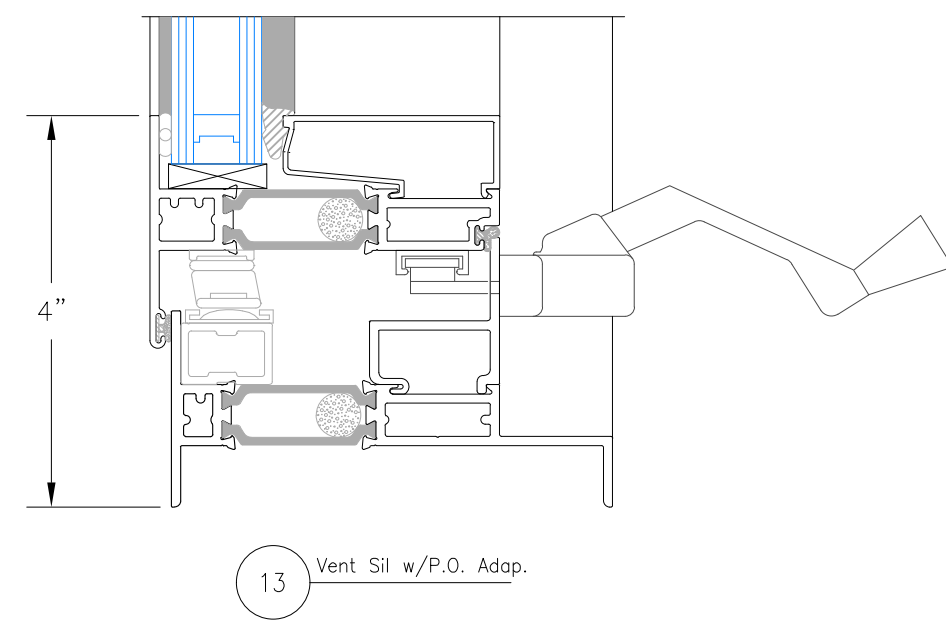
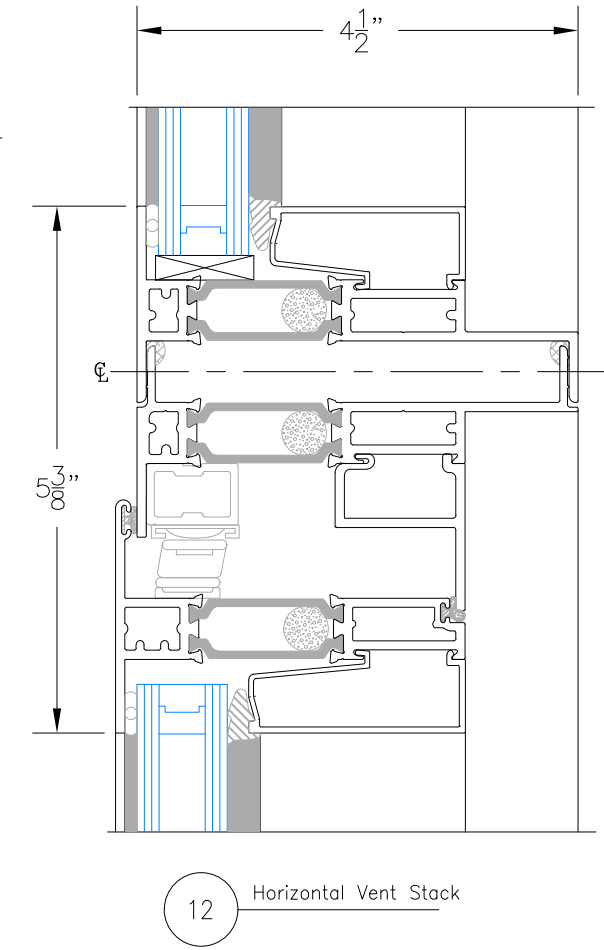
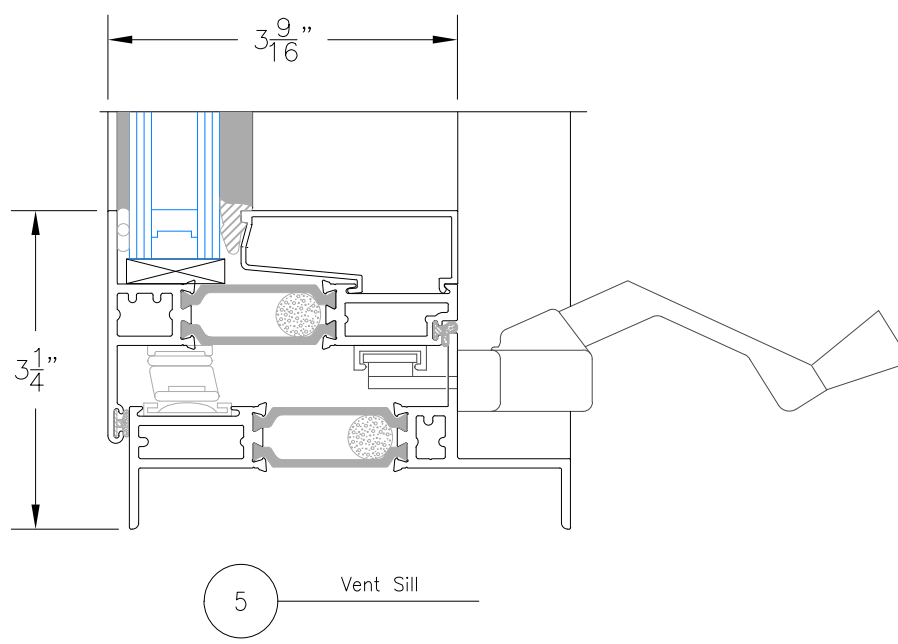
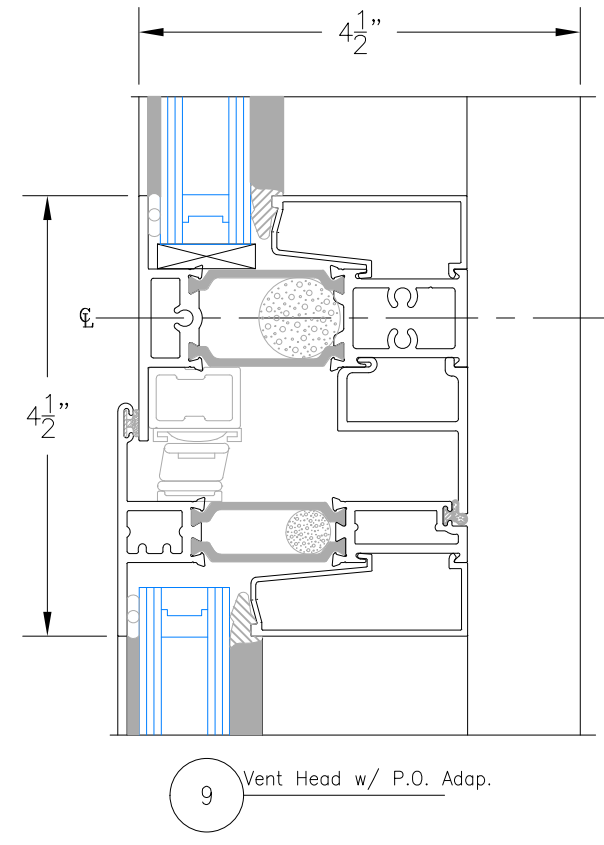
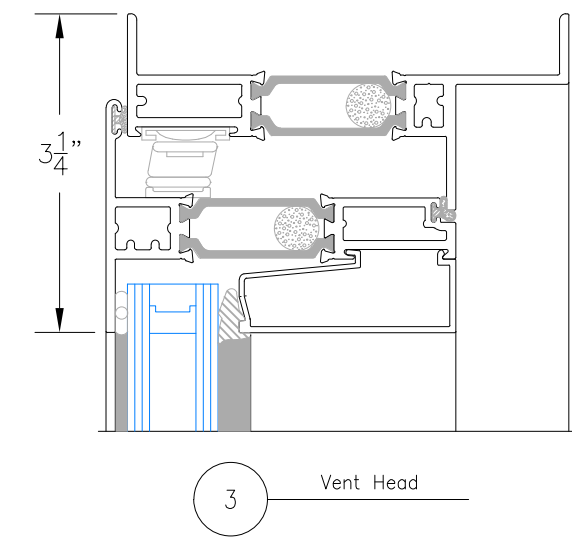
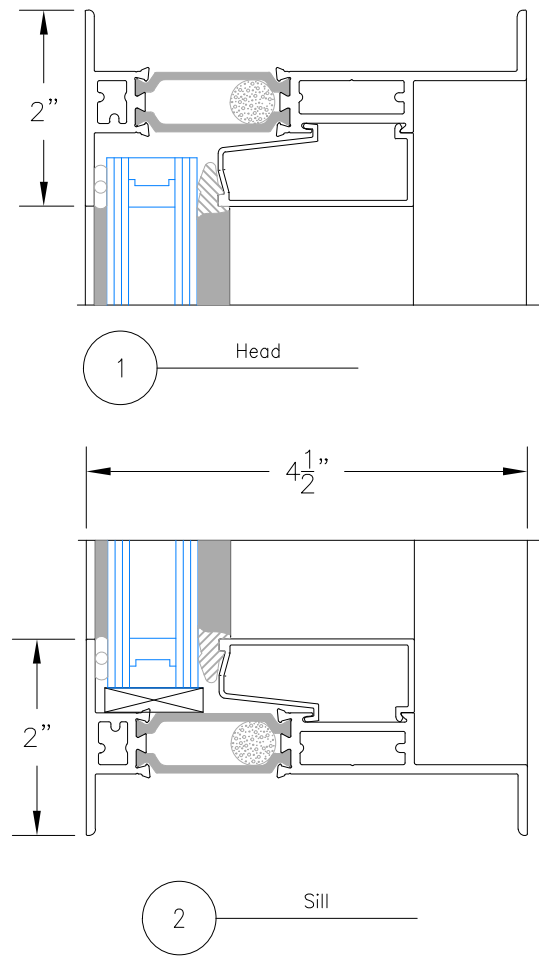
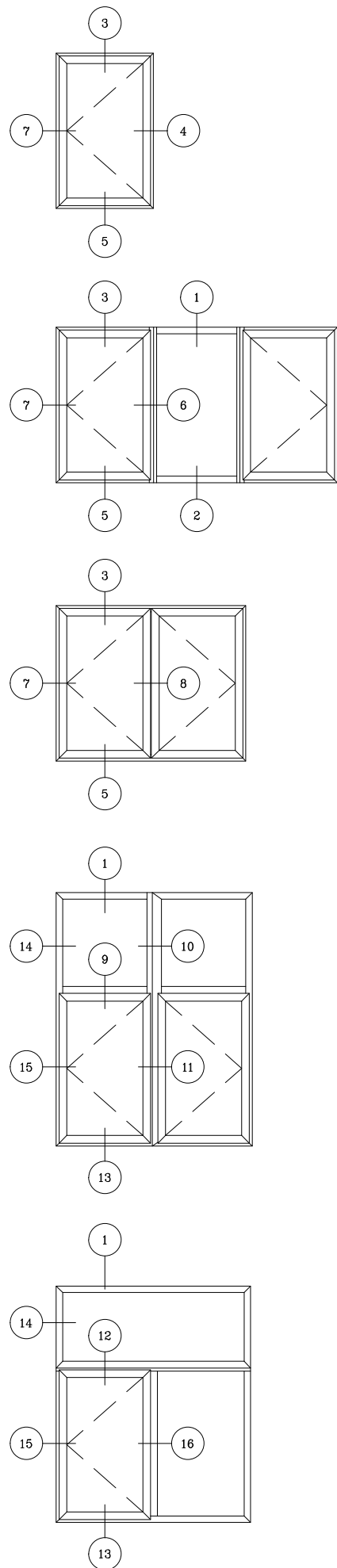


21 Vent Jamb

i85 PLUS SERIES THERMAL WINDOW PROJECT-IN

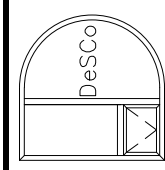
DeSCO Architectural, Inc.  
716 3rd Street SE  
De Smet, SD 57231  
Ph: 605-854-9126 Fax: 605-854-9127  
800-952-5534  
www.descoarc.com



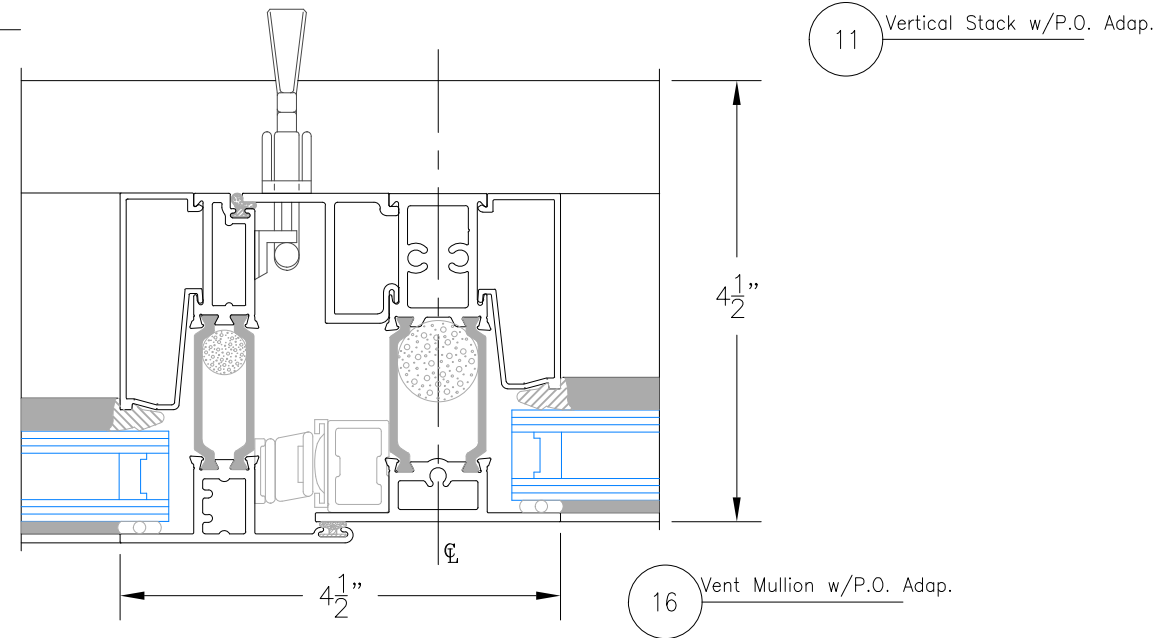
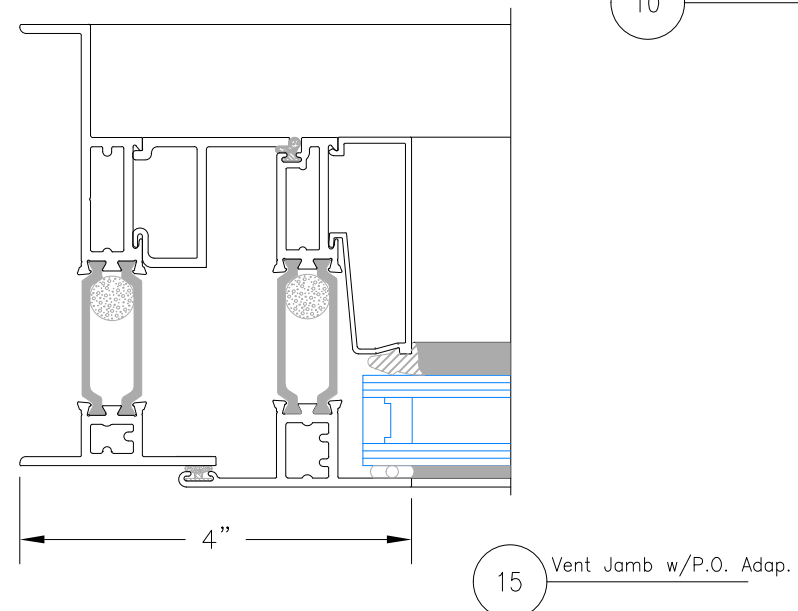
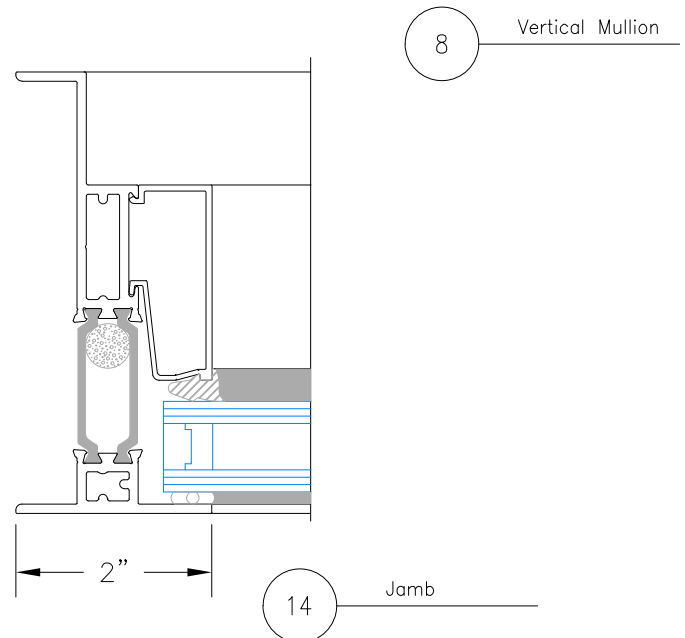
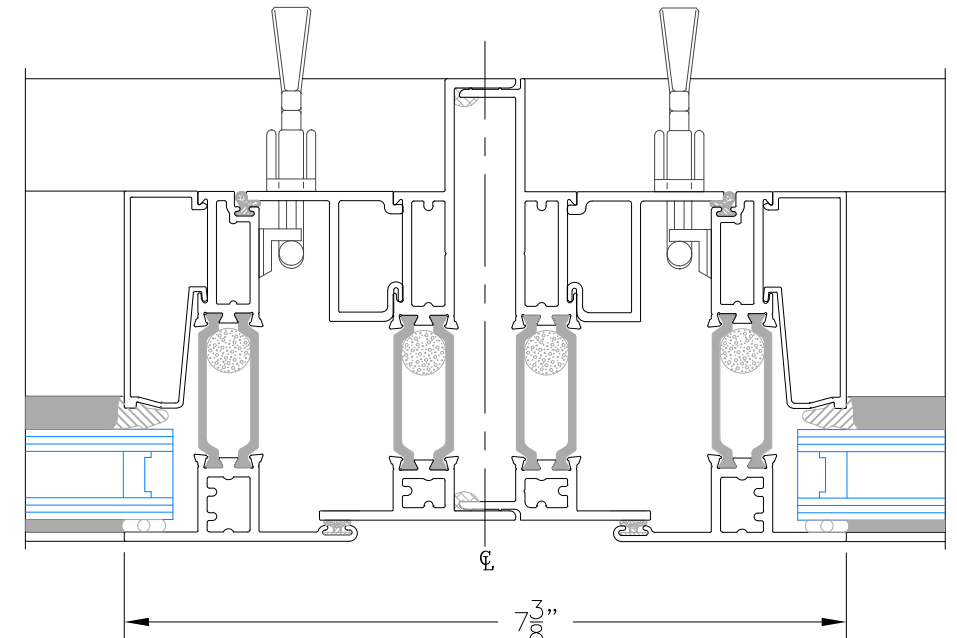
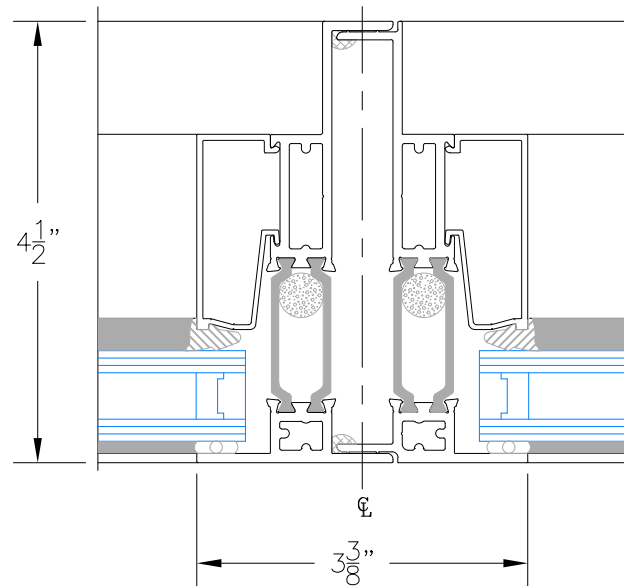
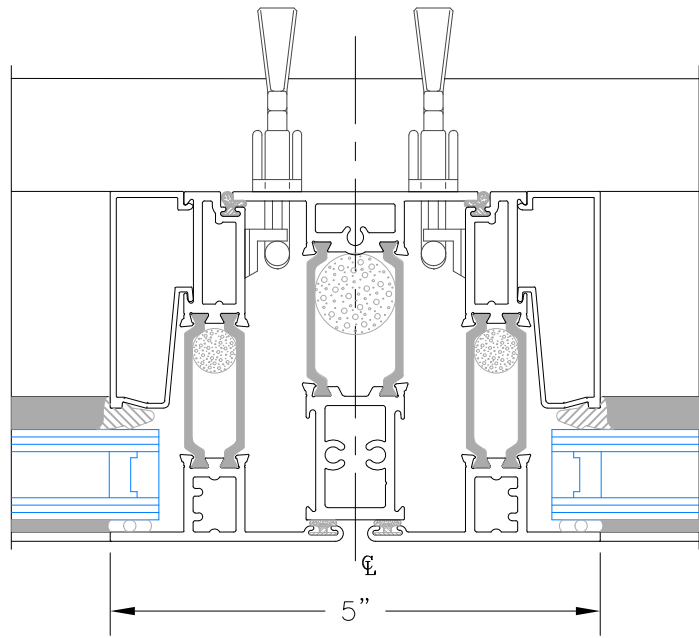
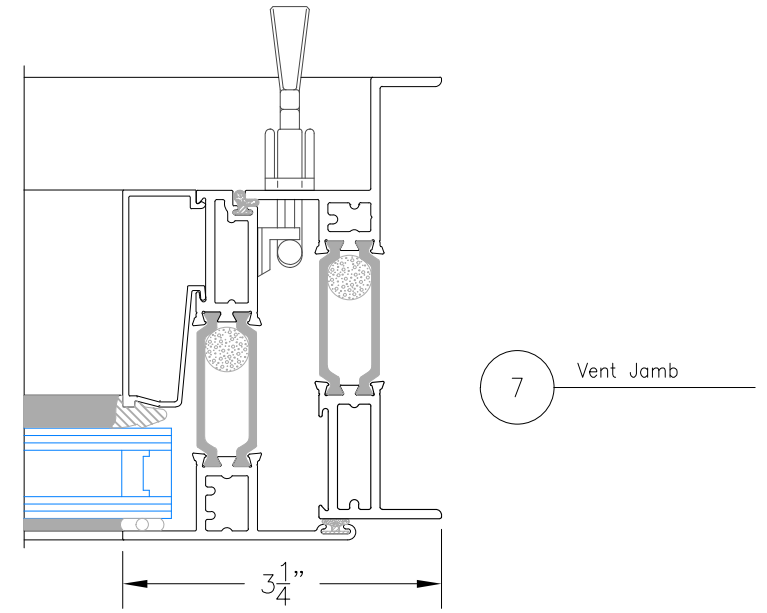
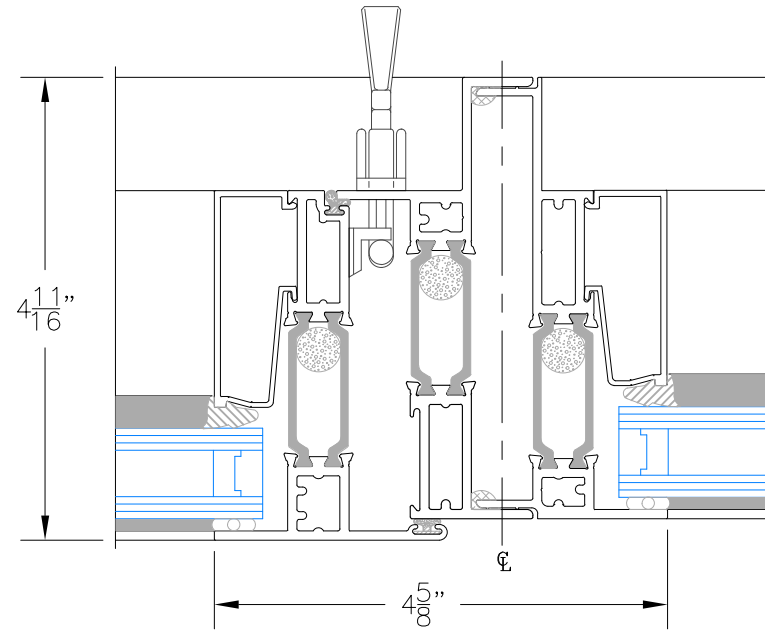
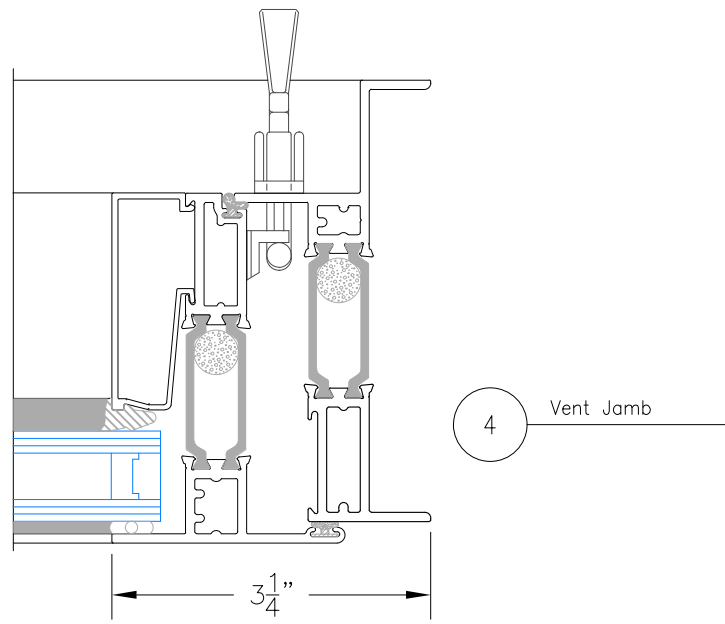


i85 PLUS SERIES THERMAL WINDOW  
CASEMENT

DeSCO Architectural, Inc.  
716 3rd Street SE  
De Smet, SD 57231  
Ph. 605-854-9126 Fax: 605-854-9127  
800-952-5534  
www.descoarc.com

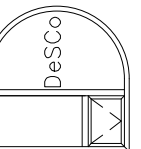


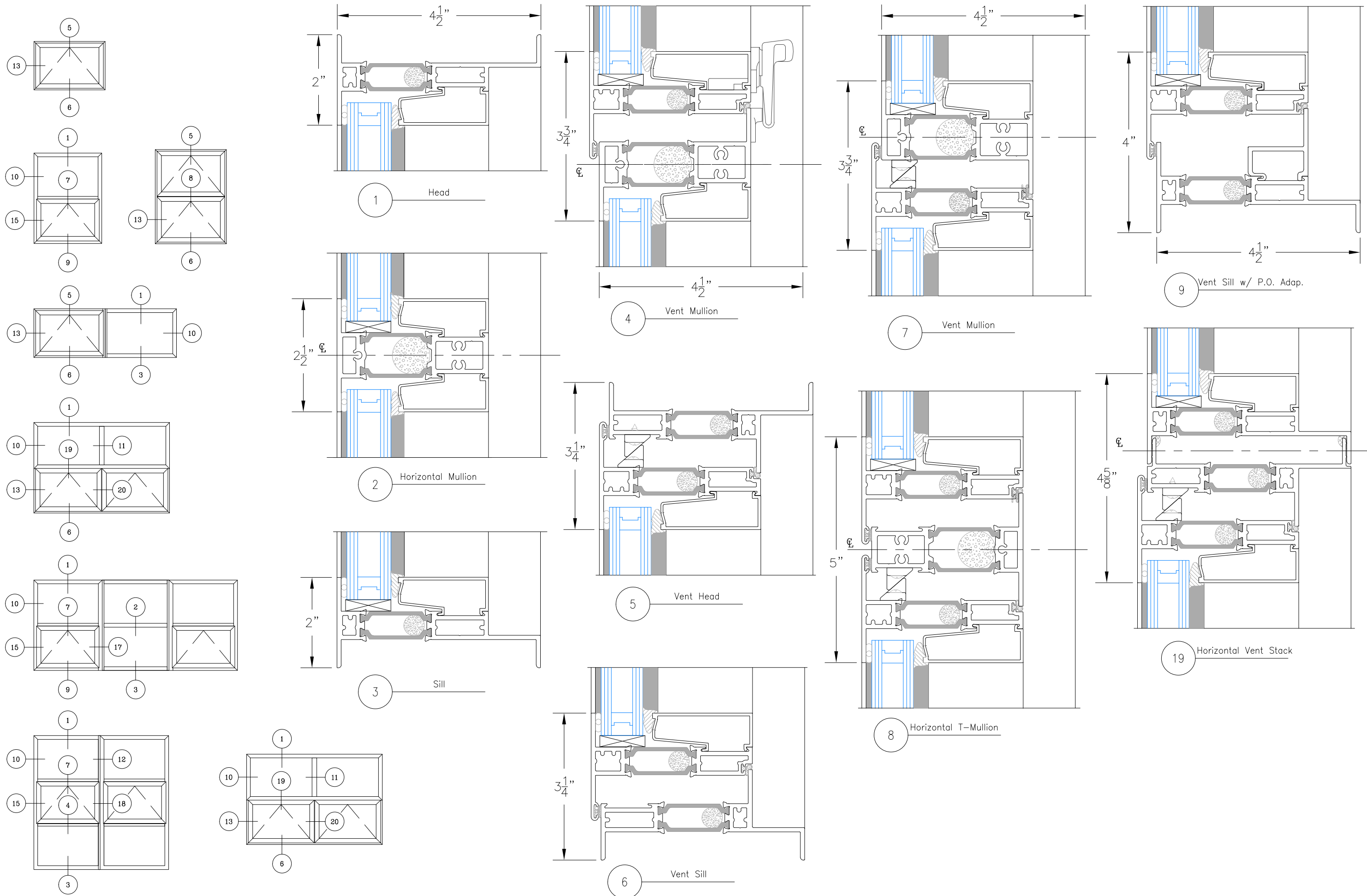




i85 PLUS SERIES THERMAL WINDOW  
CASEMENT

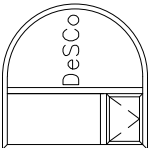
DeSCO Architectural, Inc.  
716 3rd Street SE  
De Smet, SD 57231  
Ph. 605-854-9126 Fax: 605-854-9127  
605-952-5534  
www.descoarcc.com

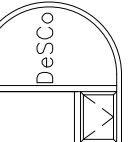
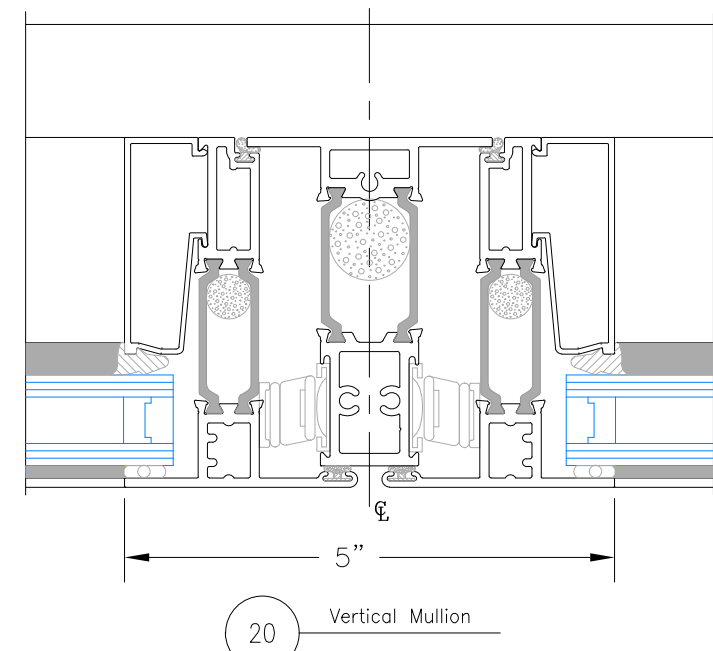
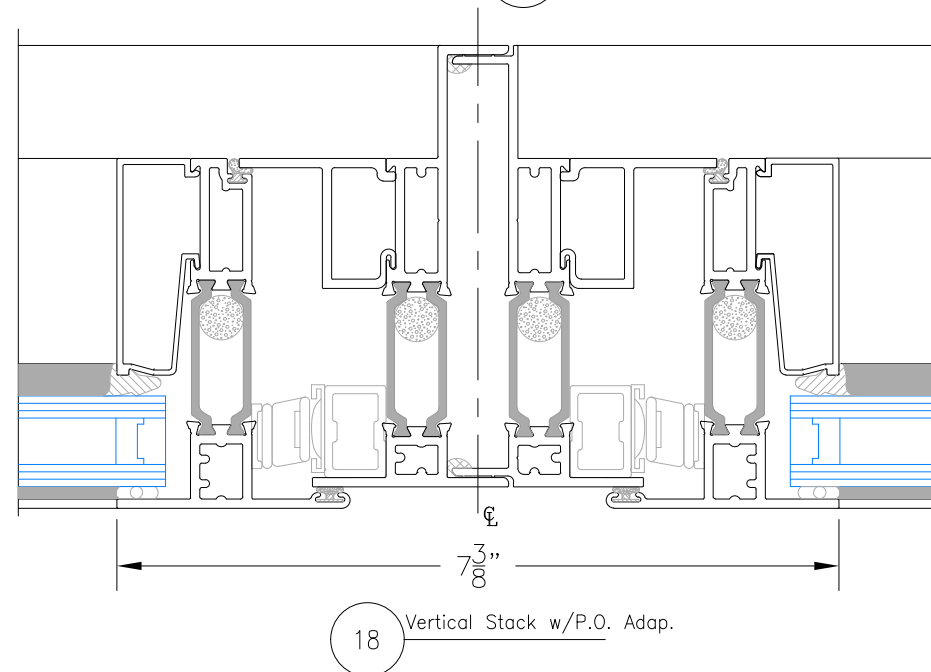
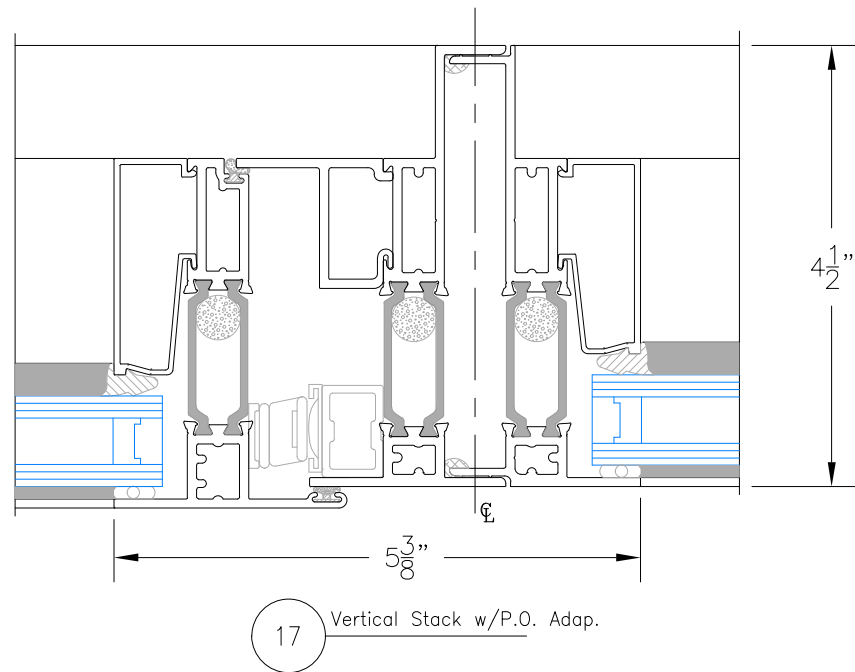
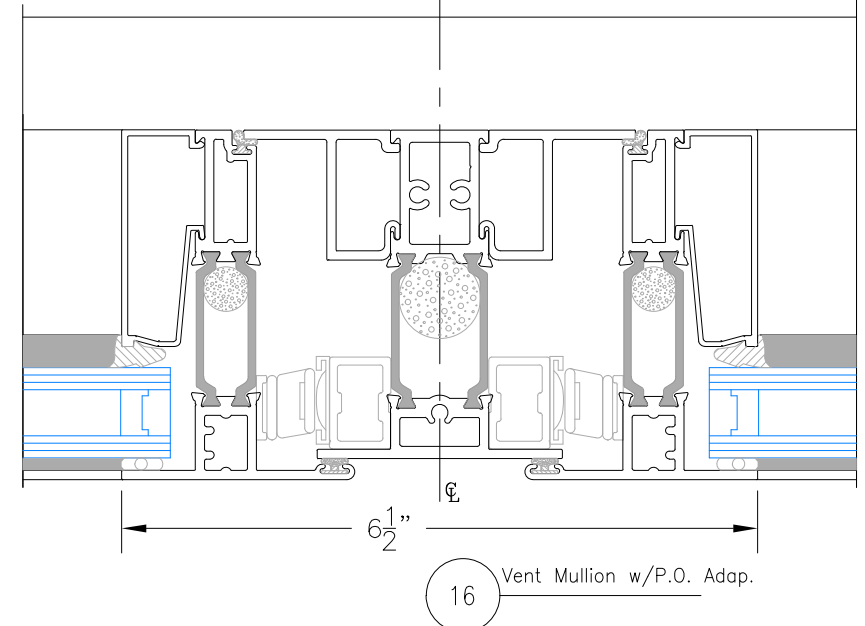
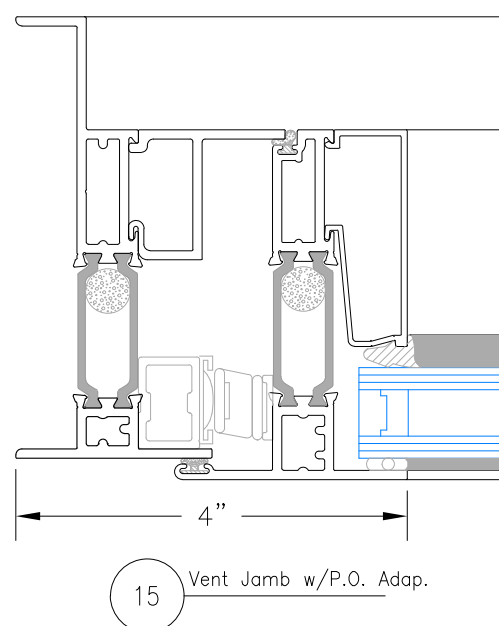
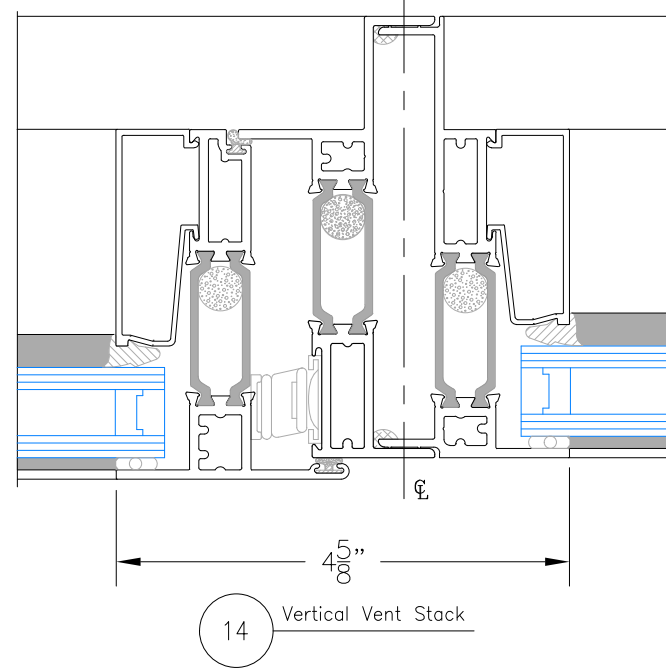
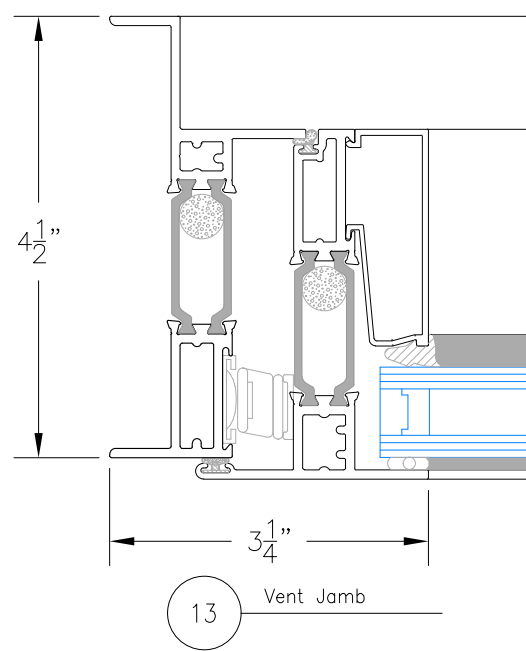
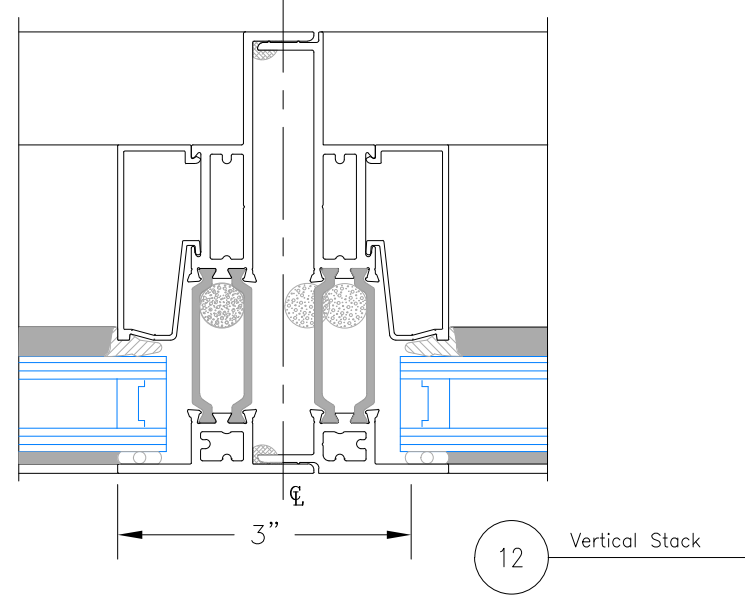
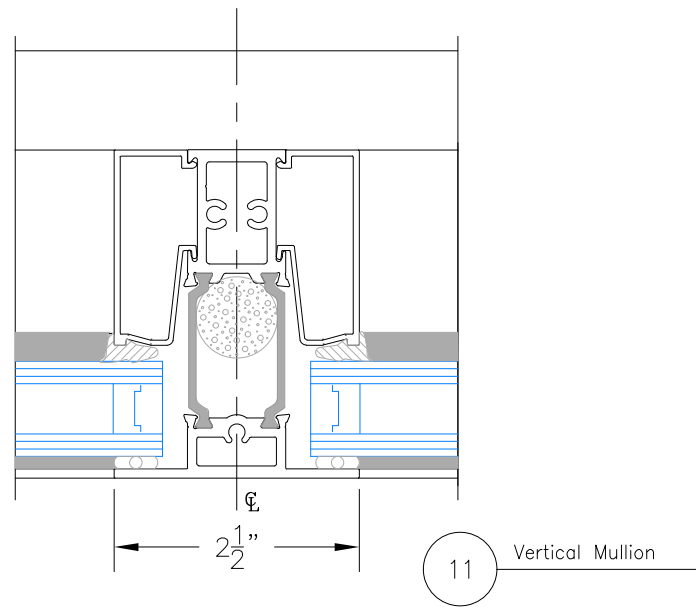
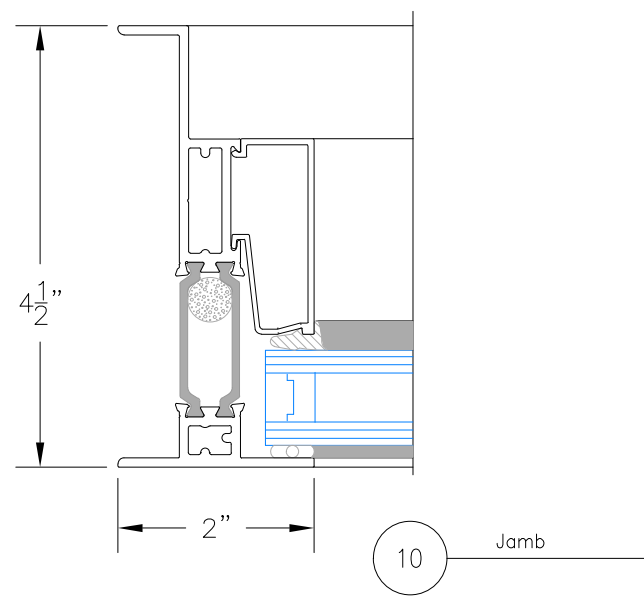


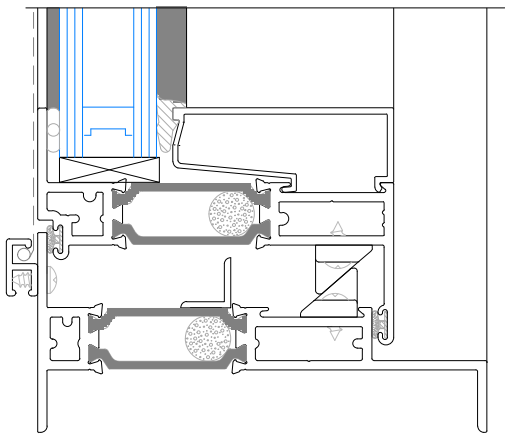


i85 PLUS SERIES THERMAL WINDOW  
PROJECT-OUT

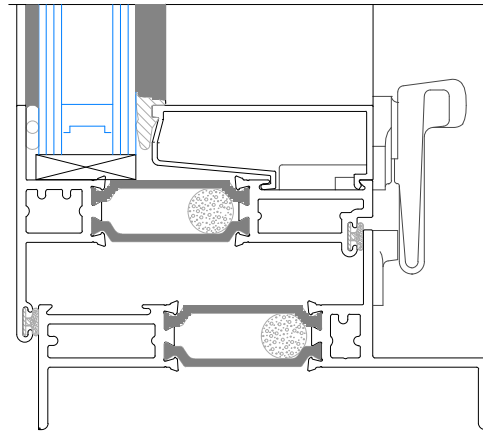
DeSCO Architectural, Inc.  
716 3rd Street SE  
De Smet, SD 57231  
Ph: 605-854-9126 Fax: 605-854-9127  
800-952-5534  
www.descoarc.com



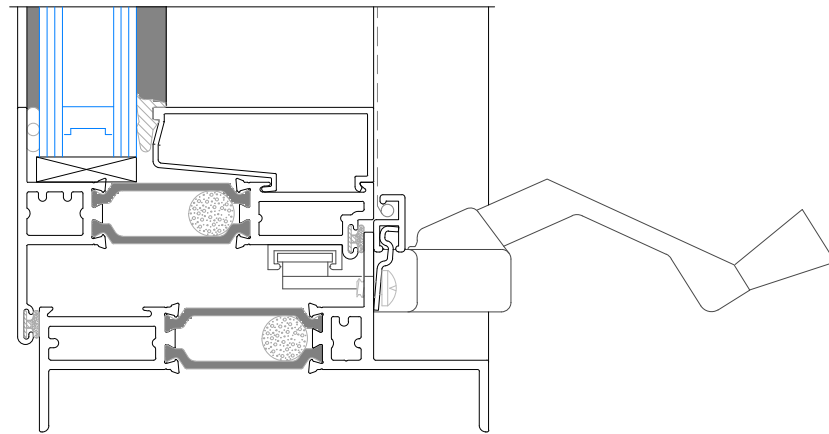




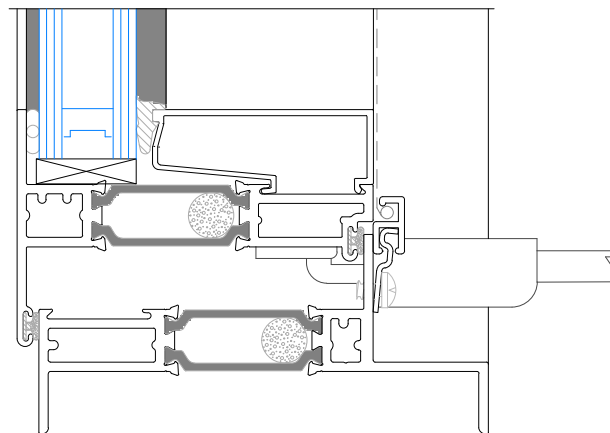
Project-In  
Screen



Project-Out  
Wicket Screen  
W/Cam Handle



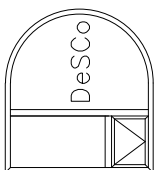
Project-Out  
Screen  
W/Roto  
Operator



Project-Out  
Screen  
W/Pushbar

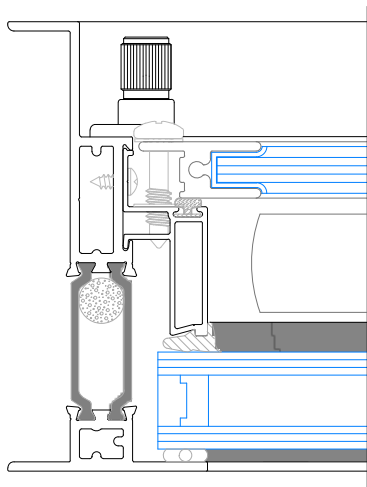
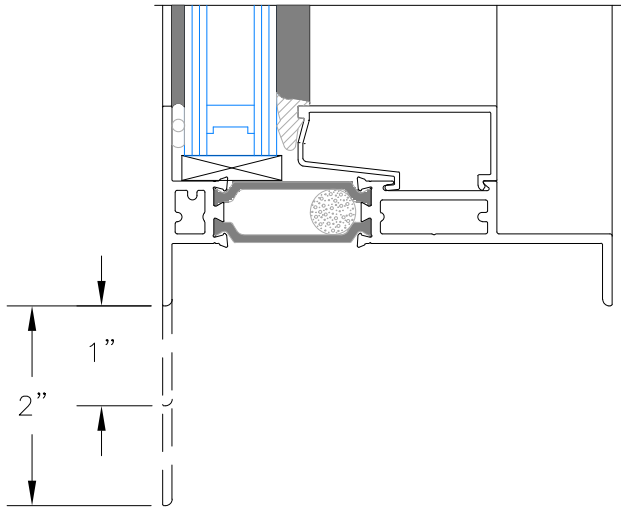
i85 PLUS SERIES ACCESSORIES

DeSCO Architectural, Inc.  
716 3rd Street SE  
De Smet, SD 57231  
Ph. 605-854-9126 Fax: 605-854-9127  
800-952-5534  
www.descoarc.com

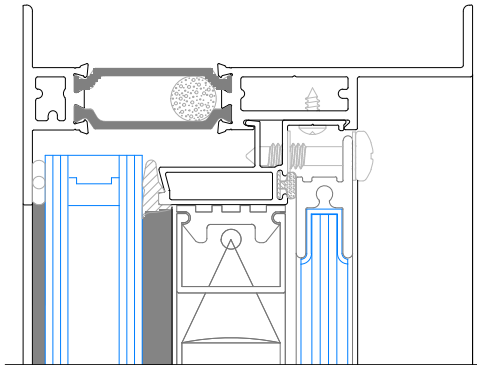


Scale: Half Scale

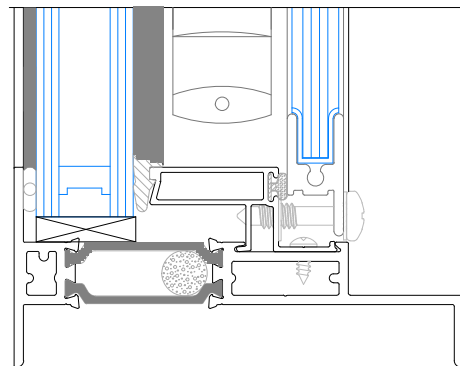
Exterior  
Unequal Leg  
Options



i65 Plus Series  
With Blinds  
Jamb Detail

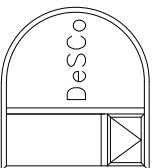


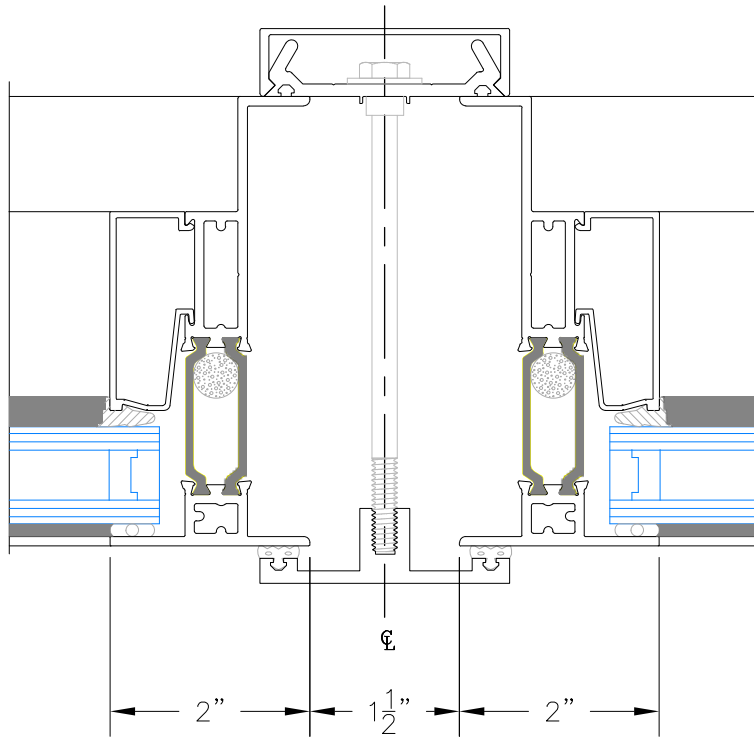
i65 Plus Series  
With Blinds  
Head Detail



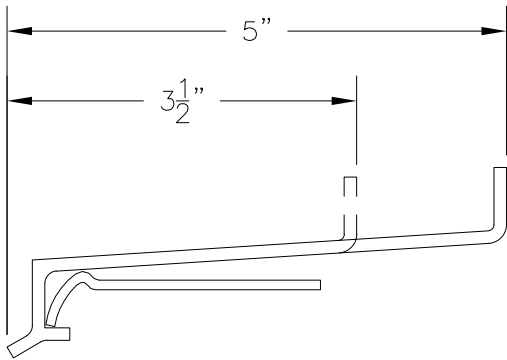
i65 Plus Series  
With Blinds  
Sill Detail

Scale: Half Scale

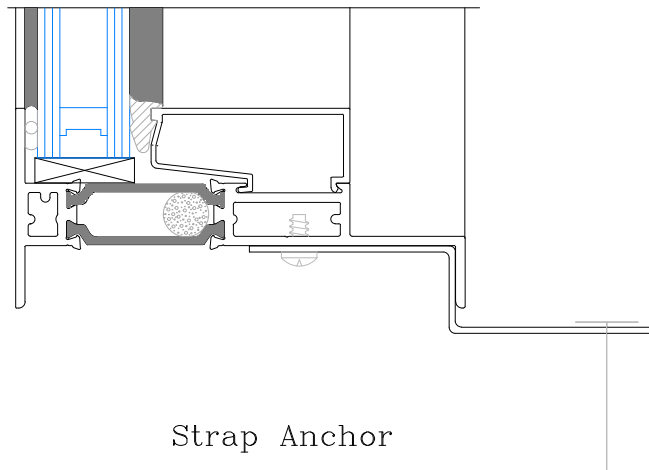




2 Piece Mullion Cover

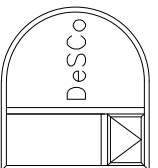


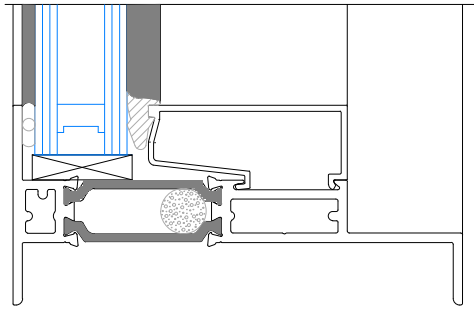
Extruded Sill



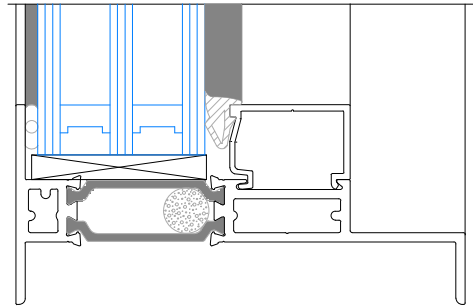
Strap Anchor

Scale: Half Scale

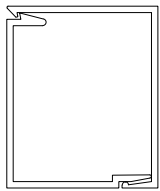




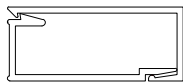
1" Glazing



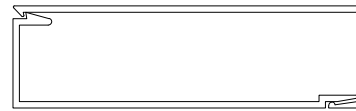
1.75" Glazing



1 1/2" x 1 3/4"  
Snap Trim



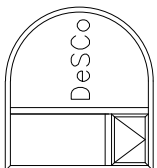
1 3/4" x 3/4"  
Snap Trim



3 1/2" x 1"  
Snap Trim

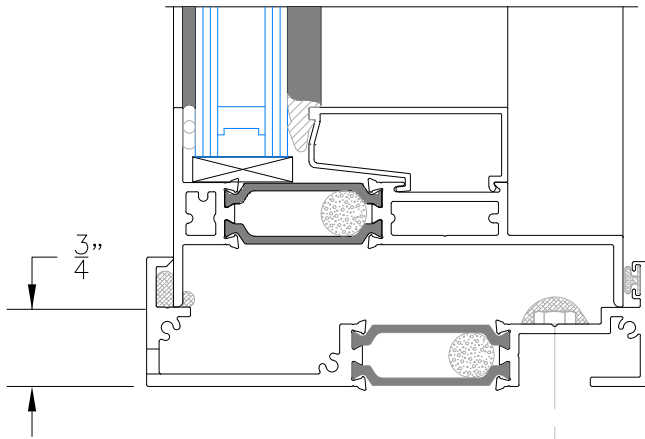
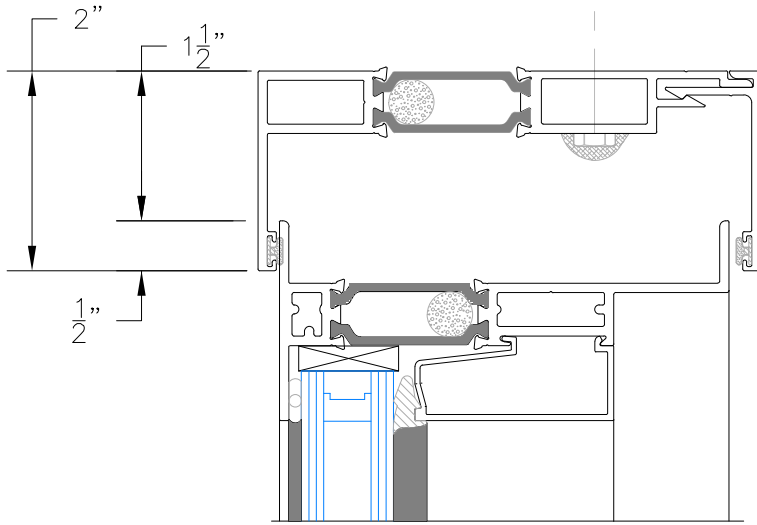
i85 PLUS SERIES ACCESSORIES (Con't)

DeSCO Architectural, Inc.  
716 3rd Street SE  
De Smet, SD 57231  
Ph. 605-854-9126 Fax: 605-854-9127  
800-952-5534  
www.descoarc.com



Scale: Half Scale

i85+ Head & Jamb Receptor



i85+ 6.24PSF Subsill

Scale: Half Scale

i85 PLUS SERIES ACCESSORIES (Con't)

DeSCO Architectural, Inc.  
 716 3rd Street SE  
 De Smet, SD 57231  
 Ph. 605-854-9126 Fax: 605-854-9127  
 800-952-5534  
 www.descoarc.com

